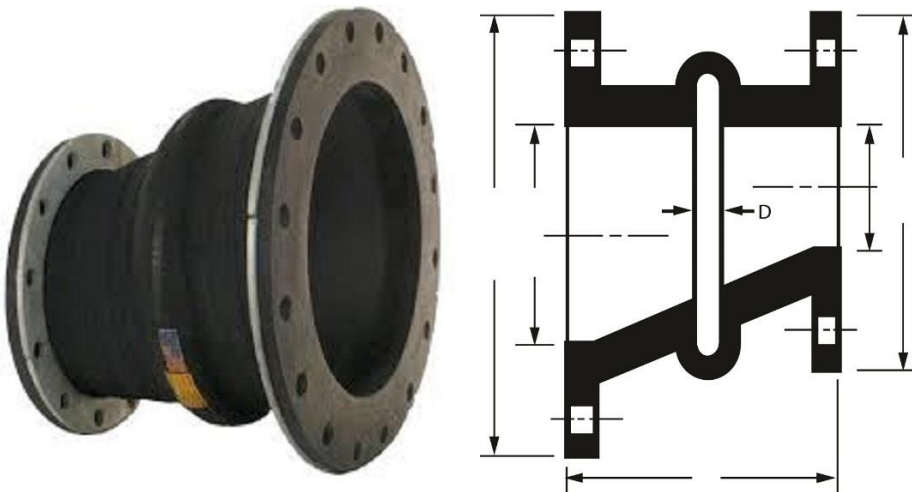
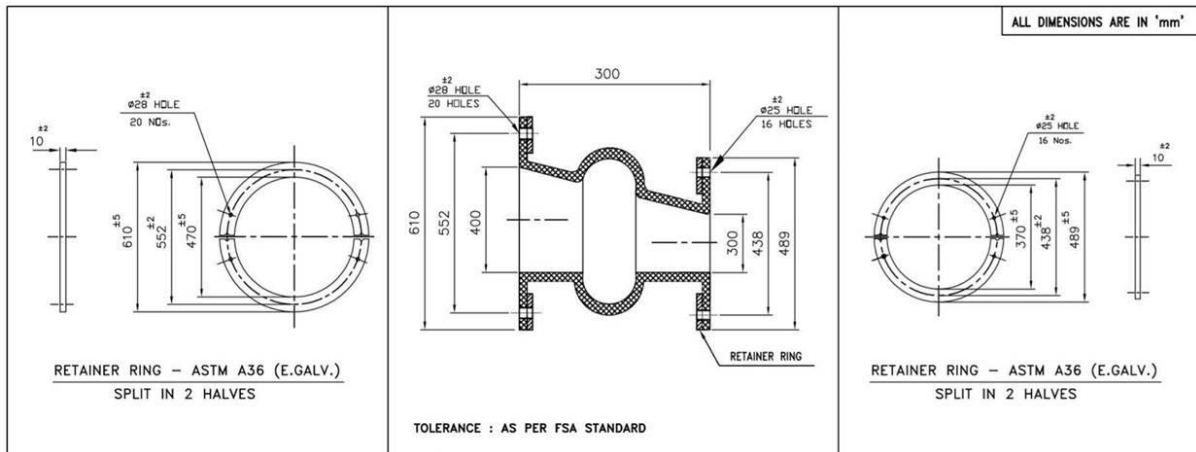


DEWATER PRODUCTS

Eccentric Reducing Rubber Expansion Joint



- Hand made
- Face to face dimensions can be customised to suit requirements
- Flange specifications can be customised on each side to suit requirements
- Pressure ratings can be customised to suit requirements
- Available in different rubber materials to suit requirements

Contact Dewater Products Pty Ltd for more information and pricing.