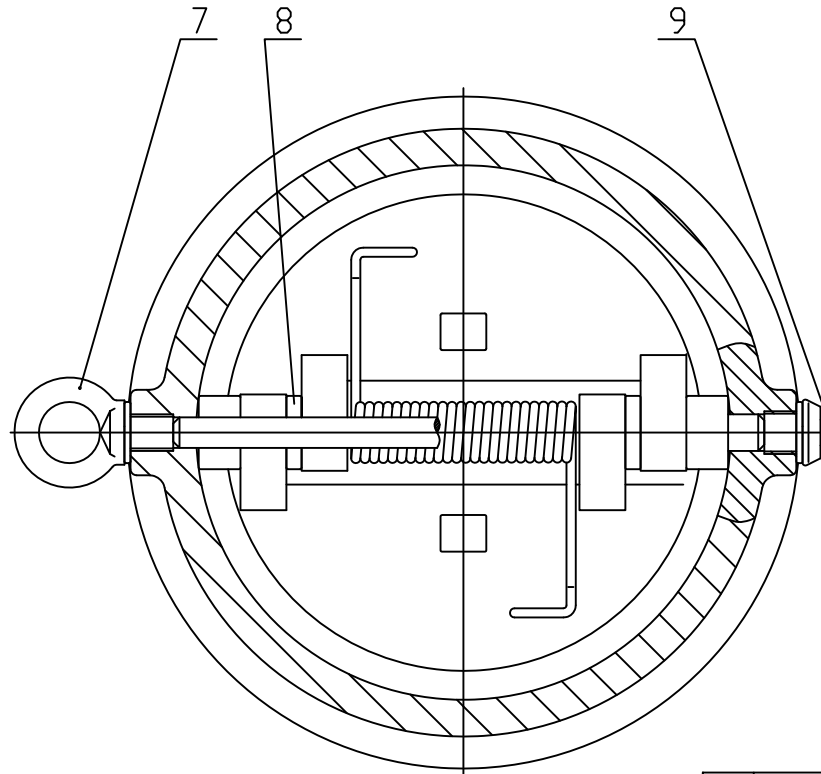
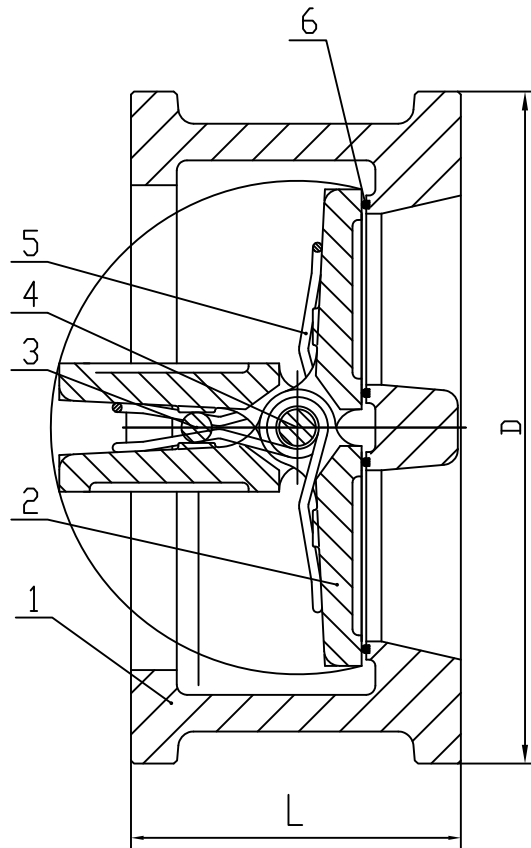



Nominal Diameter	Main Dimension (mm)			
	inch	DN	D	L
4"	100	178	73	
6"	150	248	98	



9	Retainer	A193 B7	
8	Gasket	SS316	
7	Eyebolt	A193 B7	
6	Seat	Viton	
5	Spring	SS316	
4	Hinge Pin	A276 316	
3	Stop Pin	A276 316	
2	Disc	A351 CF8M	
1	Body	A216 WCB	
No.	Part Name	Material	Remark

Technical Requirement

- 1.Design & Manufacture Conforms to API 594
- 2.Flange Dimensions Conform to ANSI B16.5
- 3.Face to Face Dimensions Conform to API 594
- 4.Test & Inspect Conform to API 598

SPECIFICATIONS				DESIGNED BY				
Nominal pressure	Class300			CHECKED BY				ASSEMBLY DRAWING
Testing Pressure	Shell Test	7.5	MPa	STANDARDIZED BY		H76X-300		0
	Closure Test	5.5		APPROVED BY		DUAL-PLATE WAFER CHECK VALVE		
	Back seat Test	/		THE USER CONFIRM		DATE	2015-07-01	
	Air Test	/						
Temperature	-29~120°C							
Applicable Media	Water,Oil,Steam							