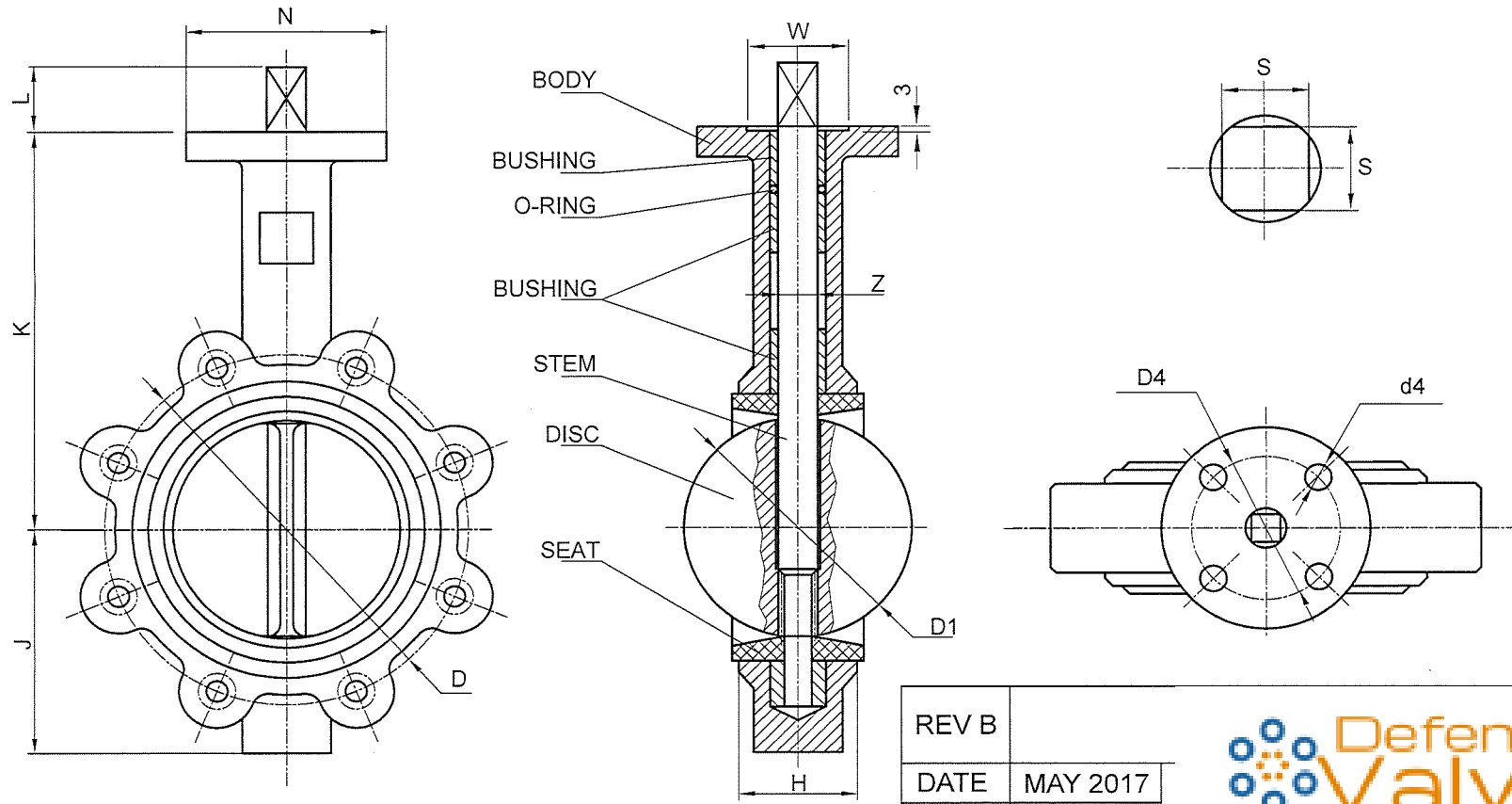


SIZE	K	J	H	Z	L	D	BOLTS		D1	N	d4	D4	W	S	ISO	WEIGHT (kg)	
							NO.	SIZE								LEVER	GEAR
40	139	68	33	12.5	32	98	4	M12	39.5	65	7	50	36	9	F05	3.5	8
50	161	80	43	12.5	32	114	4	M16	52.5	65	7	50	36	9	F05	4.5	9
65	175	89	46	12.5	32	127	4	M16	63.8	65	7	50	36	9	F05	6.5	11
80	181	95	46	14.5	32	146	4	M16	78.1	65	7	50	36	9	F05	7.5	13
100	200	114	52	16.5	32	178	8	M16	103.8	90	9	70	56	11	F07	10	16
125	213	127	56	18.5	32	210	8	M16	123.1	90	9	70	56	14	F07	12	18
150	226	139	56	18.5	32	235	8	M20	155	90	9	70	56	14	F07	15	21
200	260	175	60	22.5	32	292	8	M20	202.1	125	11	102	71	17	F10	23	33
250	292	203	68	30.5	40	356	12	M20	250.1	125	11	102	71	22	F10	30	45
300	337	242	78	30.5	40	406	12	M24	301.1	125	11	102	71	22	F10	43	59

NO	PART NAME	MATERIAL
1	BODY	CF8M
2	DISC	CF8M
3	STEM	316 SS
4	SEAT	EPDM
5	O-RING	NBR (NITRILE)

50mm (2") ~ 300mm (12") LUGGED
TABLE E BUTTERFLY VALVES
LEVER or GEAR OPERATED ONLY

PINLESS STAINLESS DISC



OPERATING TORQUE Nm*
* Allow a Safety Factor when sizing actuators

SIZE	SHUT OFF PRESSURE kPa		
	600	1000	1600
50	23	24	27
65	24	29	33
80	32	35	48
100	50	54	56
125	82	88	90
150	104	110	124
200	187	200	233
250	300	355	392
300	410	530	560

REV B	
DATE	MAY 2017
SCALE	TO FIT



RATED
16 BAR

STAINLESS STEEL LUGGED TABLE E BUTTERFLY VALVES